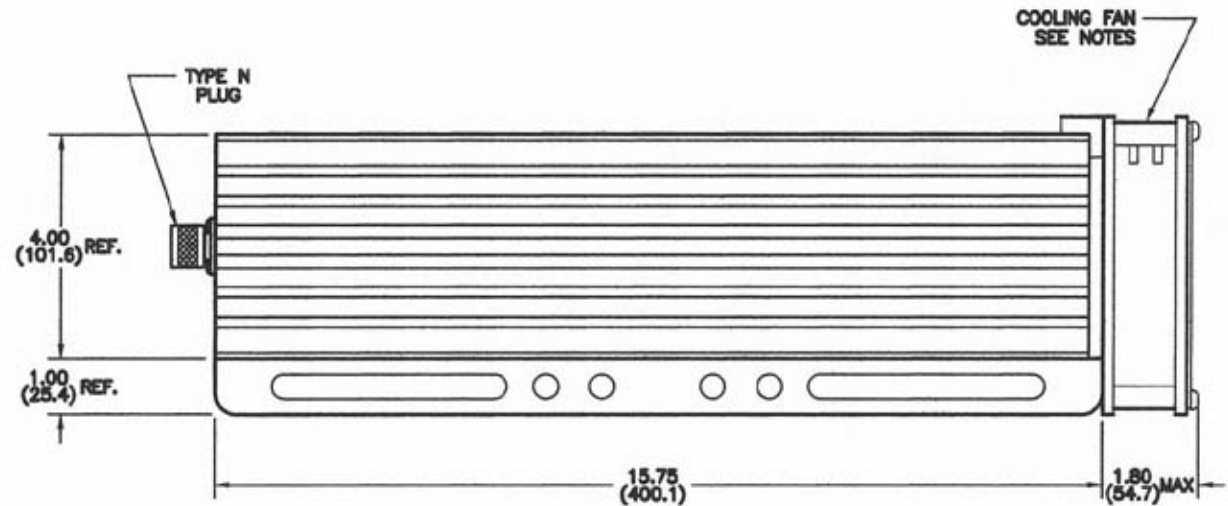
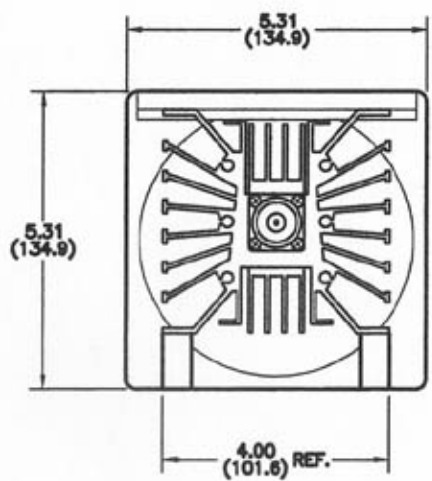


REVISIONS				
REV	ZONE	DESCRIPTION	DATE	BY ECO



SPECIFICATIONS

- FREQUENCY RANGE - DC TO 3.0 GHz
- IMPEDANCE - 50 OHMS
- VSWR (1.0 GHz) - 1.20:1 MAX.
- (2.4 GHz) - 1.30:1 MAX.
- (3.0 GHz) - 1.40:1 MAX.
- INPUT POWER (AVG.) - 1000 WATTS
- (PEAK) - 2000 WATTS
- OPERATING TEMPERATURE - -55°C TO +125°C
- CONNECTOR - TYPE N MALE
- COOLING: 159 C.F.M. FORCED AIR FAN COOLED
- 115 V. - 50/60 Hz. OR
- 230 V. - 50/60 Hz. AS REQUIRED

DIMENSIONS: INCHES
(MILLIMETERS)

ITEM	PART NUMBER	DESCRIPTION	QTY.
ASSEMBLY LIST			
TOLERANCES		THE DIMENSIONS SHOWN ON THIS DRAWING IS THE PROPERTY OF MICROWAVE DEVICES, INC. AND IS PROPRIETARY. IT IS NOT TO BE COPIED OR USED FOR ANY PURPOSE OTHER THAN AS AUTHORIZED IN WRITING BY MICROWAVE DEVICES, INC.	
DECIMALS - 10	FRACTIONS	 TERMINATION, 1000 WATT MODEL 61000N3	
ANGLES - 0.001	FINISH		
MATERIAL		DATE: 10-25-68	
FINISH		DRAWN BY: J. D. [D]	
CHKD: G.V. Coltrane		CHECKED BY: []	
APPV: []		DATE: 10-25-68	
APPV: []		DRAWING SCALE: 1:1	
		PART NUMBER: 900747-3	
		SHEET 1 OF 1	

CONTROL: MICROWAVE DEVICES - 1150 T.C. DRIVE RD. FIVEHILLS, OH 45021